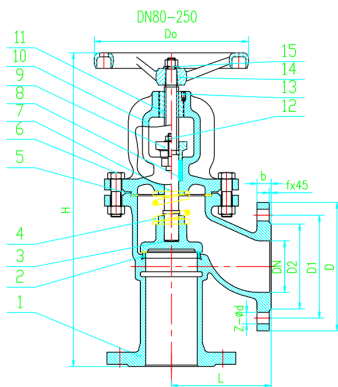


CAST IRON ANGLE GLOBE VALVES / GLOBE CHECK VALVES

AVAILABLE MEDIUM	WATER,STEAM PETROLEUM PRODUCTS
WORKING TEMPERATURE	H,T≤200℃ W≤100℃
FLANGE DIMENSONS	DIN2533
FACE TO FACE	DIN3202 F32



NO	NAME	MATERIAL	NO	NAME	MATERIAL	
1	BODY	GG25	9	GLAND	GG25	
2	SEAT RING	BRASS/S.S	10	BONNET	GG25	
3	DISC	GG25+BRASS/S.S	11	STEM NUT	BRASS	DN80-250
4	SPRING	STAINLESS STEEL	12	BOLT NUT	CARBON STEEL	
5	GASKET	GRAPHITE	13	BOLT	CARBON STEEL	DN80-250
6	BOLT NUT	CARBON STEEL	14	WHEEL	GG25	
7	STEM	STAINLESS STEEL	15	NUT GASKET	CARBON STEEL	
8	PACKING	GRAPHITE				

DN	L	D	D1	D2	b	Z-φd	D0	f	H	WEIGHT KG
15	90	95	65	45	14	4-14	100	3	170	3.8
20	95	105	75	55	16	4-14	100	3	185	4.5
25	100	115	85	65	16	4-14	120	3	190	6
32	105	135	100	78	18	4-18	120	3	210	8.8
40	115	145	110	85	18	4-18	140	3	230	10.5
50	125	160	125	100	20	4-18	140	3	245	13
65	145	180	145	120	20	4-18	160	3	270	16.8
80	155	195	160	135	22	8-18	200	3	325	30.8
100	175	215	180	155	24	8-18	280	3	370	39
125	200	245	210	185	26	8-18	320	3	420	56.5
150	225	280	240	210	28	8-23	360	3	475	80.5
200	275	335	295	265	28	12-23	400	3	570	128.5
250	325	405	355	320	32	12-27	400	3	700	228.5