

# JIS Marine Valves

# RATER

## Self-closing Gate Valve Heads for sounding Pipe

## JIS F3019

船用青铜自闭闸方式短测深管头

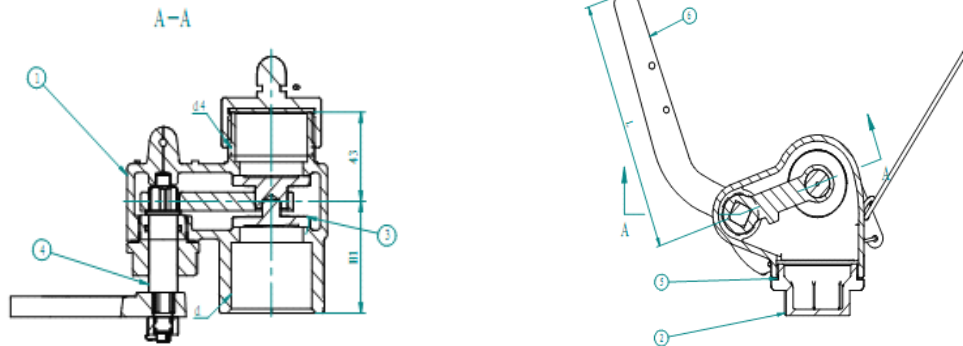
### MATERIAL

Body	Bronze
Bonnet	Bronze or Brass
Disc	Bronze
Seat	Bronze
Stem	Brass
Handwheel	Cast iron

### PICTURE



### DRAWING



### Technical Data

<b>DESIGN STANDARD</b>	<b>JIS F3019-1996</b>	
<b>TEST</b>	<b>JIS F7400-1996</b>	
<b>HYDRAULIC INSPECTION</b>		
<b>TEST PRESSURE (Mpa)</b>	<b>BODY</b>	<b>0.3</b>
	<b>SEAT</b>	<b>0.2</b>

### DIMENSIONS

CODE	SIZE	d	d4	H1	L
	<b>40A</b>	G1 1/2	G1 1/2	54	160
	<b>50A</b>	G2	G2	60	160

Notice: Unit ( mm )