

JIS Marine Valves

RATER

MARINE BRONZE ANGLE GLOBE VALVE 16K

JIS F7304

船用青铜截止阀 16kgf/cm²

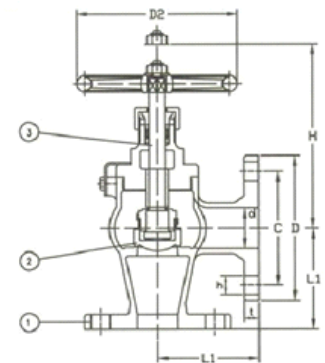
MATERIAL

Body	Bronze
Bonnet	Bronze or Brass
Disc	Bronze
Seat	Bronze
Stem	Brass
Handwheel	Cast iron

PICTURE



DRAWING



Pressure Rating	
Fluid condition	Maximum working pressure MPa(kgf/cm ²)
Steam of 205°C or less	1.57 (16)
Air, gas, oil & pulsation water	
Non-shock water of 120°C or less	2.16 (22)

Hydraulic Inspection	
Watertight inspection for valve seat	2.37MPa(24.2kgf/cm ²)
Hydraulic Inspection for body	3.24MPa(33.0kgf/cm ²)

Technical Data

Manufactured in accordance to JIS F7400 • Flanges as per JIS B2220 - 16K •

DIMENSIONS

CODE	DN	L	D	C	No.	h	t	H	D2
75 01 51	15	70	95	70	4	15	12	120	80
75 01 52	20	75	100	75	4	15	14	130	100
75 01 53	25	85	125	90	4	19	14	145	125
75 01 54	32	95	135	100	4	19	16	150	125
75 01 55	40	100	140	105	4	19	16	165	140

Notice: Unit (mm)