

JIS Marine Valves

RATER

MARINE BRONZE SCREW-DOWN CHECK GLOBE VALVE 5K JIS F7351

船用青铜截止止回阀 5kgf/cm²

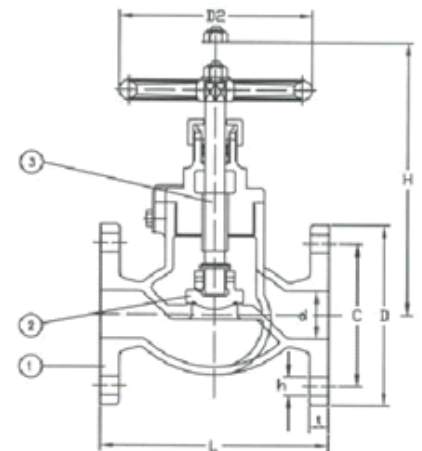
MATERIAL

Body	Bronze
Bonnet	Bronze or Brass
Disc	Bronze
Seat	Bronze
Stem	Brass
Handwheel	Cast iron

PICTURE



DRAWING



Pressure Rating	
Fluid condition	Maximum working pressure MPa(kgf/cm ²)
Steam of 205°C or less	0.49 (5)
Air, gas, oil & pulsation water	
Non-shock water of 120°C or less	0.69 (7)

Hydraulic Inspection	
Watertight inspection for valve seat	
Inlet side	0.76MPa(7.7kgf/cm ²)
Out side	0.76MPa(7.7kgf/cm ²)
	To 0.39MPa(4kgf/cm ²)
Hydraulic Inspection for body	1.03MPa(10.5kgf/cm ²)

Technical Data

Manufactured in accordance to JIS F7400 • Flanges as per JIS B2220 - 5K •
 Screwed bonnet for sizes DN 15 – DN 40 • Bolted bonnet for sizes DN 50 – DN 65

DIMENSIONS

CODE	DN	L	D	C	No.	h	t	H	D2
75 10 51	15	100	80	60	4	12	9	130	80
75 10 52	20	110	85	65	4	12	10	140	100
75 10 53	25	120	95	75	4	12	10	160	125
75 10 54	32	140	115	90	4	15	12	170	125
75 10 55	40	160	120	95	4	15	12	190	140
75 10 56	50	210	130	105	4	15	14	235	140
75 10 57	65	250	155	130	4	15	14	260	160

Notice: Unit (mm)