

JIS Marine Valves

RATER

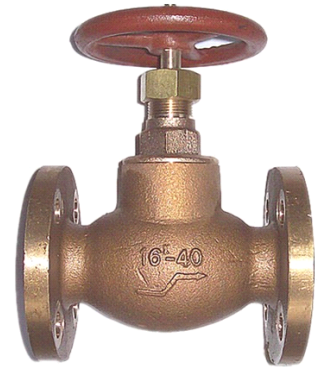
MARINE BRONZE SCREW-DOWN CHECK GLOBE VALVE 16K JIS F7409

船用青铜截止止回阀 16kgf/cm²

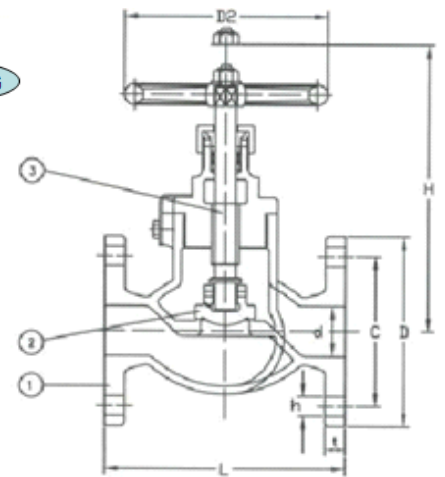
MATERIAL

Body	Bronze
Bonnet	Bronze or Brass
Disc	Bronze
Seat	Bronze
Stem	Brass
Handwheel	Cast iron

PICTURE



DRAWING



Press ure Rating	
Fluid condition	Maximum working pressure MPa(kgf/cm ²)
Steam of 205°C or less	1.57 (16)
Air,gas,oil&pulsation water	
Non-shock water of 120°C or less	2.16 (22)

Hydraulic Inspection	
Watertight inspection for valve seat	
Inlet side	2.37MPa(24.2kgf/cm ²)
Out side	2.37MPa(24.2kgf/cm ²)
	To 0.39MPa(4kgf/cm ²)
Hydraulic Inspection for body	3.23MPa(33.0kgf/cm ²)

Technical Data

Manufactured in accordance to JIS F7400 • Flanges as per JIS B2220 - 16K •

DIMENSIONS

CODE	DN	L	D	C	No.	h	t	H	D2
75 10 71	15	110	95	70	4	15	12	130	80
75 10 72	20	120	100	75	4	15	14	140	100
75 10 73	25	130	125	90	4	19	14	160	125
75 10 74	32	160	135	100	4	19	16	170	125
75 10 75	40	180	140	105	4	19	16	190	140

Notice: Unit (mm)