

JIS Marine Valves

RATER

MARINE BRONZE SCREW-DOWN CHECK ANGLE VALVE 5K JIS F7352

船用青铜角式截止止回阀 5kgf/cm²

MATERIAL

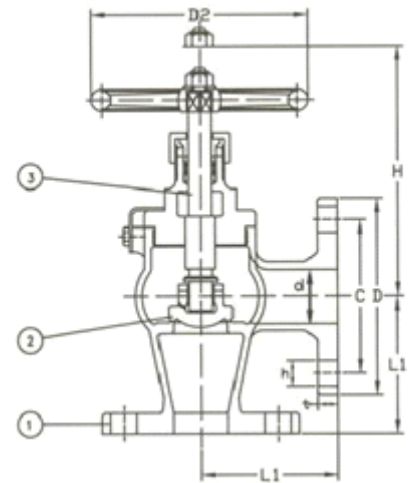
Body	Bronze
Bonnet	Bronze or Brass
Disc	Bronze
Seat	Bronze
Stem	Brass
Handwheel	Cast iron

PICTURE



Pressure Rating	
Fluid condition	Maximum working pressure MPa(kgf/cm ²)
Steam of 205°C or less	0.49 (5)
Air, gas, oil & pulsation water	
Non-shock water of 120°C or less	0.69 (7)

DRAWING



Hydraulic Inspection	
Watertight inspection for valve seat	
Inlet side	0.76MPa(7.7kgf/cm ²)
Out side	0.76MPa(7.7kgf/cm ²)
	To 0.39MPa(4kgf/cm ²)
Hydraulic Inspection for body	1.03MPa(10.5kgf/cm ²)

Technical Data

**Manufactured in accordance to JIS F7400 • Flanges as per JIS B2220 - 5K •
Screwed bonnet for sizes DN 15 – DN 40 • Bolted bonnet for sizes DN 50 – DN 65**

DIMENSIONS

CODE	DN	L	D	C	No.	h	t	H	D2
75 10 61	15	55	80	60	4	12	9	120	80
75 10 62	20	60	85	65	4	12	10	130	100
75 10 63	25	65	95	75	4	12	10	145	125
75 10 64	32	80	115	90	4	15	12	150	125
75 10 65	40	85	120	95	4	15	12	165	140
75 10 66	50	100	130	105	4	15	14	200	140
75 10 67	65	115	155	130	4	15	14	220	160

Notice: Unit (mm)