

# JIS Marine Valves

**RATER**

## U-type Shipbuilding-Fuel oil tank self-closing drain valves

**JIS F7398**

### 船用青铜自闭式放泄阀 F 型 10kgf/cm<sup>2</sup>

**MATERIAL**

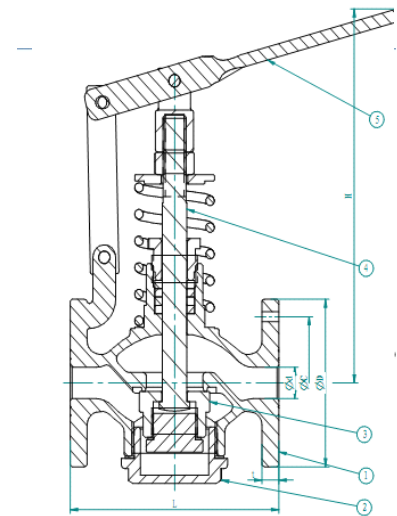
Body	Bronze
Bonnet	Bronze or Brass
Disc	Bronze
Seat	Bronze
Stem	Brass
Handwheel	Cast steel

**PICTURE**



Pressure Rating		
Fluid condition	Maximum working pressure MPa(5kgf/cm <sup>2</sup> )	Maximum working pressure MPa(10kgf/cm <sup>2</sup> )
Steam of 205°C or less	0.49 (5)	0.98 (10)
Oil&pulsation water		
Non-shock water of 120°C or less	0.69 (7)	1.37 (14)

Hydraulic Inspection		
Watertight inspection for valve seat	0.75MPa(7.7kgf/cm <sup>2</sup> )	0.69MPa(7kgf/cm <sup>2</sup> )
Hydraulic Inspection for body	1.03MPa(10.5kgf/cm <sup>2</sup> )	1.37MPa(14kgf/cm <sup>2</sup> )



**U-type**

**Technical Data**

Manufactured in accordance to JIS F7400 • Flanges as per JIS B2220 - 5K •10K

**DIMENSIONS**

CODE	SIZE	L	D	C	No.	h	t	H	L1
	<b>5K15 U</b>	55	80	60	4	12	9	179	55
	<b>10K15 U</b>	55	95	70	4	15	12	179	55
	<b>5K20 U</b>	65	85	65	4	12	10	187	65
	<b>10K20 U</b>	65	100	75	4	15	14	187	65
	<b>5K25 U</b>	65	95	75	4	12	10	187	65
	<b>10K25 U</b>	65	125	90	4	19	14	187	65
	<b>5K40 U</b>	90	120	95	4	15	12	229	100
	<b>5K65 U</b>	135	155	130	4	15	14	252	160

Notice: Unit ( mm )