

JIS Marine Valves

RATER

MARINE BRONZE SWING CHECK VALVE 5K

JIS F7371

船用青铜旋启式止回阀 5kgf/cm²

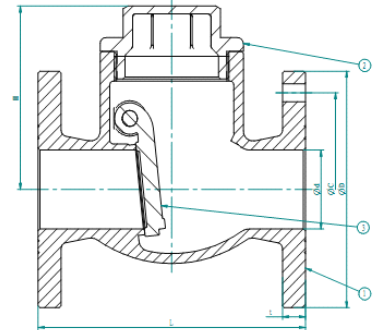
MATERIAL

Body	Bronze
Bonnet	Bronze or Brass
Disc	Bronze
Seat	Bronze
Stem	Brass

PICTURE



MATERIAL



Pressure Rating	
Fluid condition	Maximum working pressure MPa(kgf/cm ²)
Oil&pulsation water	0.49 (5)
Non-shock water of 120°C or less	0.69 (7)

Hydraulic Inspection	
Watertight inspection for valve seat	0.76MPa(7.7kgf/cm ²) To 0.39MPa(4kgf/cm ²)
Hydraulic Inspection for body	1.03MPa(10.5kgf/cm ²)

Technical Data

Manufactured in accordance to JIS F7400 • Flanges as per JIS B2220 - 5K •

DIMENSIONS

CODE	SIZE	L	D	C	No.	h	t	H	
75 14 01	25	100	95	75	4	12	10	69	
75 14 02	32	130	115	90	4	15	12	79	
75 14 03	40	140	120	95	4	15	12	93	

Notice: Unit (mm)